

POWERLITE Front Brake Kits for Classic 1969-74 Porsche 911 Using OE Hubs



Wilwood's motorsports-proven **Powerlite** four piston calipers provide the foundation for a complete brake kit package for classic 1969-74 Porsche 911s using OE hubs. Complete brake kits include brackets for bolt-on mounting to struts with 3.0" (76,2mm) mounting tabs, rotors, stainless steel Flexlines and brake pads.

Caliper-only kits include brackets for 3.0" mounting tabs, Flexlines, and brake pads.



**Brake kits fit
FUCHS 15" wheels**



ROTORS: PLAIN or SRP DRILLED & SLOTTED

- Vented rotors in plain face, or SRP drilled and slotted with black E-coat applied
- 11.10" x .80" (282 x 20mm) for use with OE hubs

CALIPERS: POWERLITE PL4R

- Rigid, forged aluminum radial mount four piston calipers
- Quick-clip top pad retainer allows faster pad changes and fits inside smaller diameter wheels
- One-piece stainless steel pistons slow heat transfer and resist corrosion
- Calipers are finished in gloss Le Mans yellow, black or red powder coat, over durable wear-resistant Type-III hard anodized coating

BRAKE PADS: BP-10

- BP-10 street performance pads (other compounds available)

INSTALLATION PARTS:

- Caliper brackets, stainless steel Flexlines, and all premium-grade hardware for installation are included

KIT FEATURES:

- Calipers continuously refined through modern engineering and manufacturing methods, including FEA (Finite Element Analysis)
- Compatible with factory master cylinder

Powerlite Front Complete Brake Kits

P/N: [140-16946](#) Plain or SRP Drilled & Slotted
Rotor, 11.10" x .80" (282 x 20mm)

Caliper Kits For Use On Factory Rotors

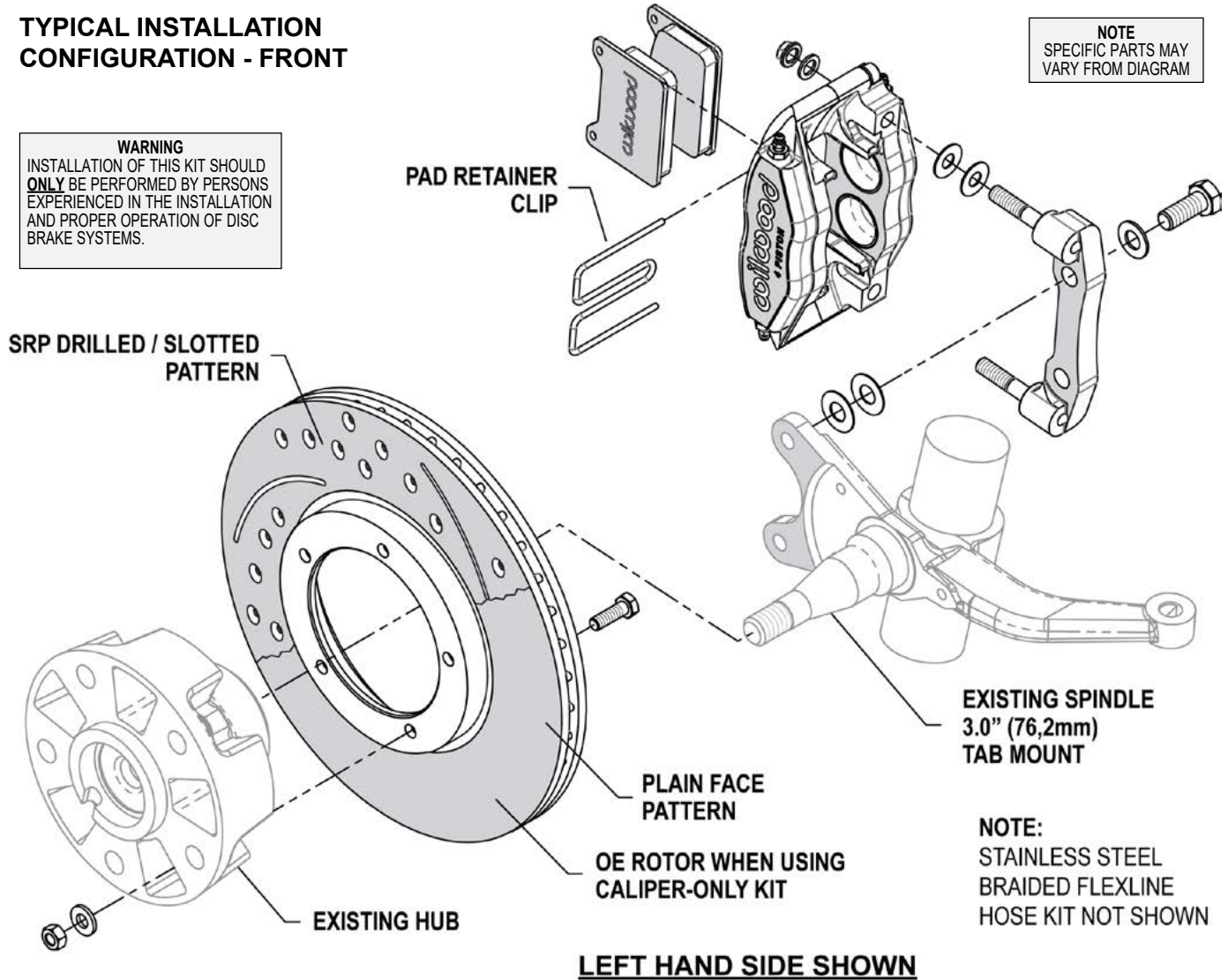


Powerlite Front Caliper Kits

P/N: [140-17019](#) for 11.10" x .80" (282 x 20mm) OE Rotor

TYPICAL INSTALLATION CONFIGURATION - FRONT

WARNING
INSTALLATION OF THIS KIT SHOULD ONLY BE PERFORMED BY PERSONS EXPERIENCED IN THE INSTALLATION AND PROPER OPERATION OF DISC BRAKE SYSTEMS.



ORDERING INFO: PH: 805.388.1188 • FAX: 805.388.4938 • wilwood.com • info@wilwood.com

FULL BRAKE KITS

BLACK	RED	Le Mans YELLOW	DESCRIPTION / YEAR	TAB MOUNT	ROTOR SIZE	ROTOR TYPE
140-16946	140-16946-R	140-16946-Y	Powerlite Front Kit, 1969-74	3.0" (76,2mm)	11.10" x .80" (282mm x 20mm)	Plain Face
140-16946-D	140-16946-DR	140-16946-DY	Powerlite Front Kit, 1969-74	3.0" (76,2mm)	11.10" x .80" (282mm x 20mm)	SRP Drilled/Slotted

CALIPER KITS for OE ROTORS

140-17019	140-17019-R	140-17019-Y	Powerlite Front Kit, 1969-74	3.0" (76,2mm)	11.10" x .80" (282mm x 20mm)	N/A
-----------	-------------	-------------	------------------------------	---------------	------------------------------	-----