

Aero6-DM “Direct-Mount” Brake Kits

✓ 2007-2015 **Toyota Tundra**

Wilwood’s **Aero6-DM** direct-mounted caliper brake kits are designed to fit 2007-15 Toyota Tundra 2WD and 4WD trucks and most 17” or larger wheels. Upgrade your fixed-mount, cast-iron calipers and stock rotors to Wilwood’s direct-mount, forged aluminum six piston calipers and premium iron alloy rotors to improve performance and pedal feel.

Designed and engineered to fit most factory and aftermarket 17” and larger wheels, providing better thermal capability for high-demand driving, including towing, commercial and off-road use.

KIT FEATURES:

- Directly mounts to factory spindles and hubs without the need for additional brackets
- Provides increased thermal stability, yet fits behind most 17” and larger wheels

CALIPERS: AERO6-DM

- Stress-flow forged aluminum Aerolite calipers are engineered for direct-mounting with staggered bore pistons for more even clamping force, and a closed bridge for minimal deflection
- Compatible with the factory master cylinder, ABS and all electronic controls
- Calipers available in gloss black or red powder coat, or many additional color options (additional charges apply)

ROTORS: GTB or SRP

- 13.39” x 1.26” long-grain carbon iron alloy with 66 vane vented rotors for improved thermal management
- Choose **GTB** slotted, or **SRP** drilled and slotted e-coated rotors

BRAKE PADS: BP-22

- **BP-22** ceramic-based, dual-sport brake pad for everyday street or performance driving (additional compounds available)

INSTALLATION PARTS:

- Stainless steel Flexlines and premium-grade hardware included



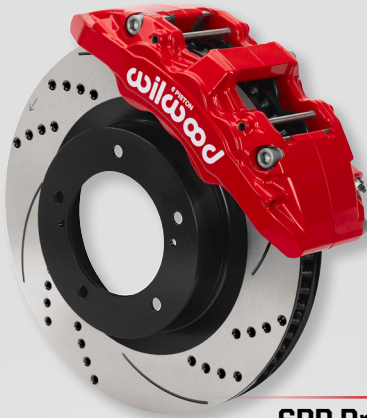
**Aero6-DM Six Piston Brake Kit
13.39” SRP Drilled & Slotted Rotor**



**CALIPER
COLOR
OPTIONS**
*Additional charges may apply.



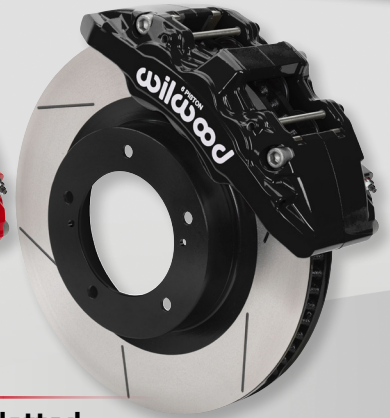
**Aero6-DM Six Piston Brake Kit
13.39” GTB Slotted Rotor**



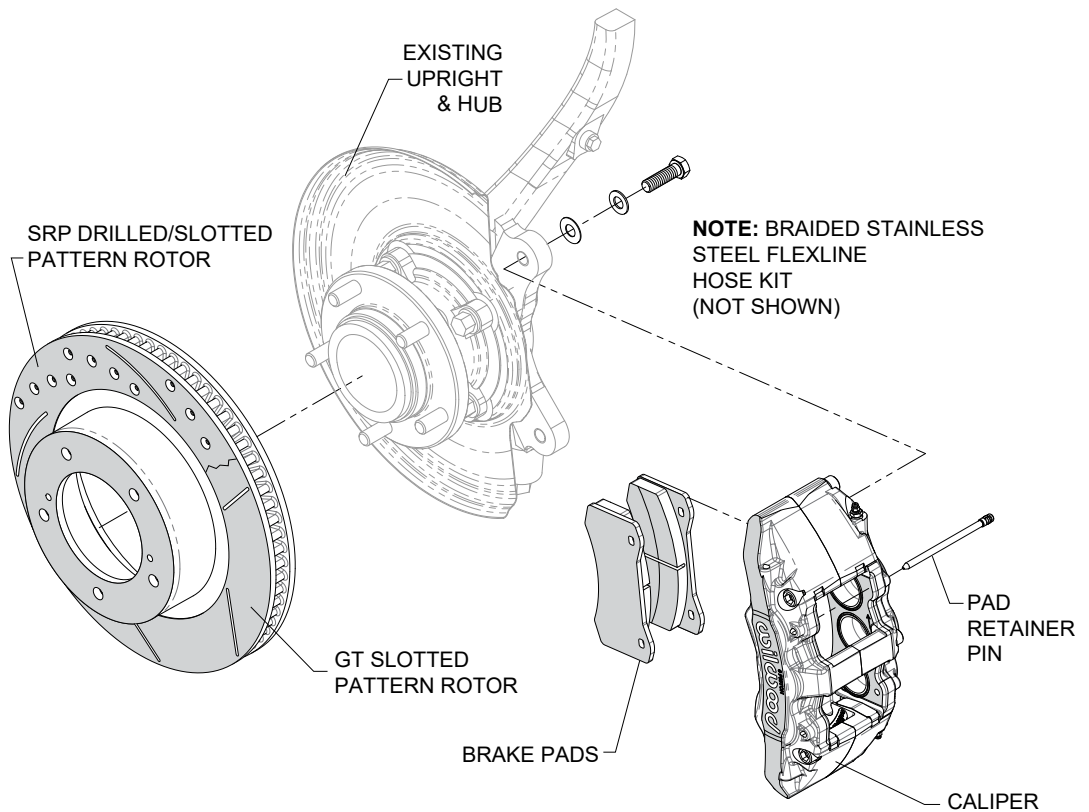
SRP Drilled & Slotted Rotors



GTB Slotted Rotors



TYPICAL INSTALLATION CONFIGURATION



NOTE:
SPECIFIC PARTS MAY VARY FROM DIAGRAM

WARNING
INSTALLATION OF THIS KIT SHOULD **ONLY** BE PERFORMED BY PERSONS EXPERIENCED IN THE INSTALLATION AND PROPER OPERATION OF DISC BRAKE SYSTEMS.

LEFT HAND SIDE SHOWN

ORDERING INFO: PH: 805.388.1188 • FAX: 805.388.4938 • wilwood.com • info@wilwood.com

BLACK	RED	DESCRIPTION	CALIPER TYPE	ROTOR TYPE	ROTOR SIZE
140-18357	140-18357-R	Kit, Front Aero6-DM, Toyota Tundra 2WD/4WD & LC300, 2007-2015	Aerolite 6 Piston Direct-Mount	GTB Slotted	13.39" x 1.26"
140-18357-D	140-18357-DR	Kit, Front Aero6-DM, Toyota Tundra 2WD/4WD & LC300, 2007-2015	Aerolite 6 Piston Direct-Mount	SRP Drilled & Slotted	13.39" x 1.26"