

wilwood DISC BRAKES

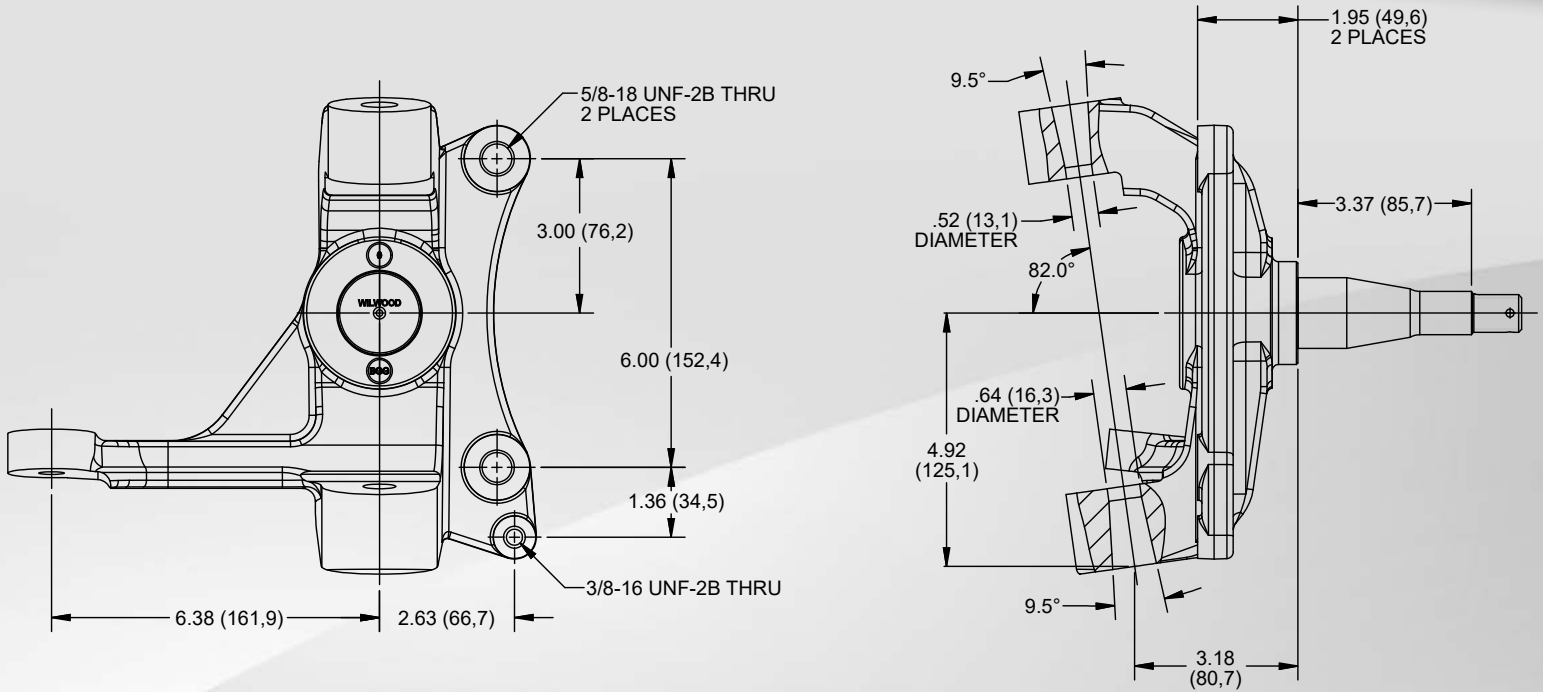
CHEVY C10

1963-1987

2.5" DROP PROSPINDLE & FRONT BRAKE KITS

- 2.5" drop improves handling and provides an aggressive stance while maintaining the original equipment track width and correct steering geometry
- Model Year Fitment:
 - For '63-'70 model trucks, upgrading to larger '73-'87 ball joints are required, factory tie rods are retained.
 - For '71-'72 model trucks, upgrading to larger '73-'87 ball joints and tie rod ends are required.
 - Direct fit on all '73-'87 models.
- Use with original equipment suspension or custom fabricated direct replacement parts
- High-strength, all iron and steel design with integral brake caliper mounts and steering arms deliver deflection-free performance
- Radial mount caliper brackets attach to the integrally cast bosses for secure mounting with rotors from 12.19" to 14.00" diameters
- Brake kits feature forged aluminum hubs with options for 5- or 6-lug wheels





ORDERING INFORMATION: 1963-1987 Chevy C10 2.5" Drop Iron Prospindles

PART NUMBER	DESCRIPTION
831-15931	ProSpindle, 2.5" Drop, 1963-1970, pair
831-15932	ProSpindle, 2.5" Drop, 1971-1987, pair

ORDERING INFORMATION: Front Brake Kits, 2.5" Drop C10 Spindles, 5 Lug - 4.75"/5.00"

PART NUMBER	DESCRIPTION	CALIPER FINISH
140-15940	Superlite 6R Calipers, 12.19" x 1.10" Rotors	Black Powder Coat
140-15940-D	Superlite 6R Calipers, 12.19" x 1.10" SRP Drilled & Slotted Rotors	Black Powder Coat
140-15940-DR	Superlite 6R Calipers, 12.19" x 1.10" SRP Drilled & Slotted Rotors	Red Powder Coat
140-15940-R	Superlite 6R Calipers, 12.19" x 1.10" Rotors	Red Powder Coat
140-15941	Superlite 6R Calipers, 13.06" x 1.25" Spec37 GTB 48 Curved Vane Slotted Rotors	Black Powder Coat
140-15941-D	Superlite 6R Calipers, 13.06" x 1.25" Spec37 SRP 48 Curved Vane Drilled & Slotted Rotors	Black Powder Coat
140-15941-DR	Superlite 6R Calipers, 13.06" x 1.25" Spec37 SRP 48 Curved Vane Drilled & Slotted Rotors	Red Powder Coat
140-15941-R	Superlite 6R Calipers, 13.06" x 1.25" Spec37 GTB 48 Curved Vane Slotted Rotors	Red Powder Coat
140-15942	Superlite 6R Calipers, 14.00" x 1.25" Spec37 GTB 72 Curved Vane Slotted Rotors	Black Powder Coat
140-15942-D	Superlite 6R Calipers, 14.00" x 1.25" Spec37 SRP 72 Curved Vane Drilled & Slotted Rotors	Black Powder Coat
140-15942-DR	Superlite 6R Calipers, 14.00" x 1.25" Spec37 SRP 72 Curved Vane Drilled & Slotted Rotors	Red Powder Coat
140-15942-R	Superlite 6R Calipers, 14.00" x 1.25" Spec37 GTB 72 Curved Vane Slotted Rotors	Red Powder Coat
140-15943	Aerolite 6R Calipers, 14.00" x 1.25" Spec37 GTB 72 Curved Vane Slotted Rotors	Black Powder Coat
140-15943-D	Aerolite 6R Calipers, 14.00" x 1.25" Spec37 SRP 72 Curved Vane Drilled & Slotted Rotors	Black Powder Coat
140-15943-DR	Aerolite 6R Calipers, 14.00" x 1.25" Spec37 SRP 72 Curved Vane Drilled & Slotted Rotors	Red Powder Coat
140-15943-R	Aerolite 6R Calipers, 14.00" x 1.25" Spec37 GTB 72 Curved Vane Slotted Rotors	Red Powder Coat

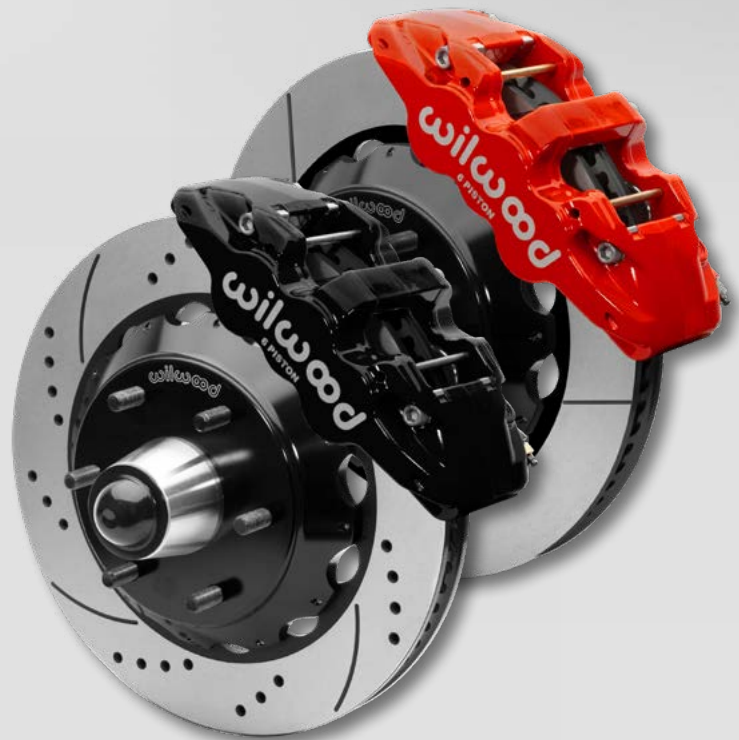
Continued ...

ORDERING INFORMATION: : Front Brake Kits, 2.5" Drop C10 Spindles, 6 Lug - 5.50"

PART NUMBER	DESCRIPTION	CALIPER FINISH
140-15944	Superlite 6R Calipers, 12.19" x 1.10" Rotors	Black Powder Coat
140-15944-D	Superlite 6R Calipers, 12.19" x 1.10" SRP Drilled & Slotted Rotors	Black Powder Coat
140-15944-DR	Superlite 6R Calipers, 12.19" x 1.10" SRP Drilled & Slotted Rotors	Red Powder Coat
140-15944-R	Superlite 6R Calipers, 12.19" x 1.10" Rotors	Red Powder Coat
140-15945	Superlite 6R Calipers, 13.06" x 1.25" Spec37 GT 48 Curved Vane Slotted Rotors	Black Powder Coat
140-15945-D	Superlite 6R Calipers, 13.06" x 1.25" Spec37 SRP 48 Curved Vane Drilled & Slotted Rotors	Black Powder Coat
140-15945-DR	Superlite 6R Calipers, 13.06" x 1.25" Spec37 SRP 48 Curved Vane Drilled & Slotted Rotors	Red Powder Coat
140-15945-R	Superlite 6R Calipers, 13.06" x 1.25" Spec37 GT 48 Curved Vane Slotted Rotors	Red Powder Coat
140-15946	Superlite 6R Calipers, 14.00" x 1.25" Spec37 GT 72 Curved Vane Slotted Rotors	Black Powder Coat
140-15946-D	Superlite 6R Calipers, 14.00" x 1.25" Spec37 SRP 72 Curved Vane Drilled & Slotted Rotors	Black Powder Coat
140-15946-DR	Superlite 6R Calipers, 14.00" x 1.25" Spec37 SRP 72 Curved Vane Drilled & Slotted Rotors	Red Powder Coat
140-15946-R	Superlite 6R Calipers, 14.00" x 1.25" Spec37 GT 72 Curved Vane Slotted Rotors	Red Powder Coat
140-15947	Aerolite 6R Calipers, 14.00" x 1.25" Spec37 GT 72 Curved Vane Slotted Rotors	Black Powder Coat
140-15947-D	Aerolite 6R Calipers, 14.00" x 1.25" Spec37 SRP 72 Curved Vane Drilled & Slotted Rotors	Black Powder Coat
140-15947-DR	Aerolite 6R Calipers, 14.00" x 1.25" Spec37 SRP 72 Curved Vane Drilled & Slotted Rotors	Red Powder Coat
140-15947-R	Aerolite 6R Calipers, 14.00" x 1.25" Spec37 GT 72 Curved Vane Slotted Rotors	Red Powder Coat



Superlite 6R



Aerolite 6R